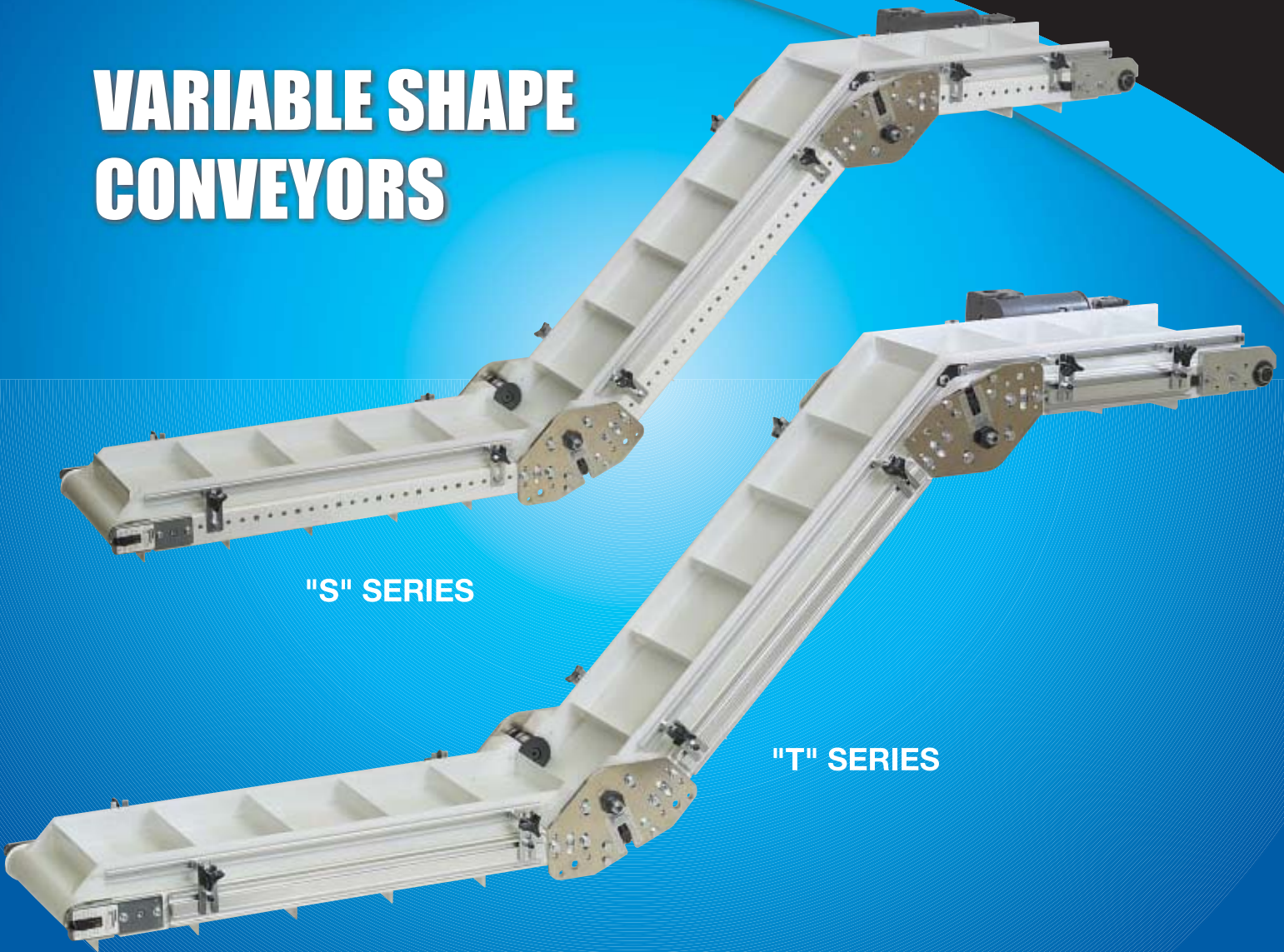


MULTI-FLEX vsc

VARIABLE SHAPE CONVEYORS



"S" SERIES

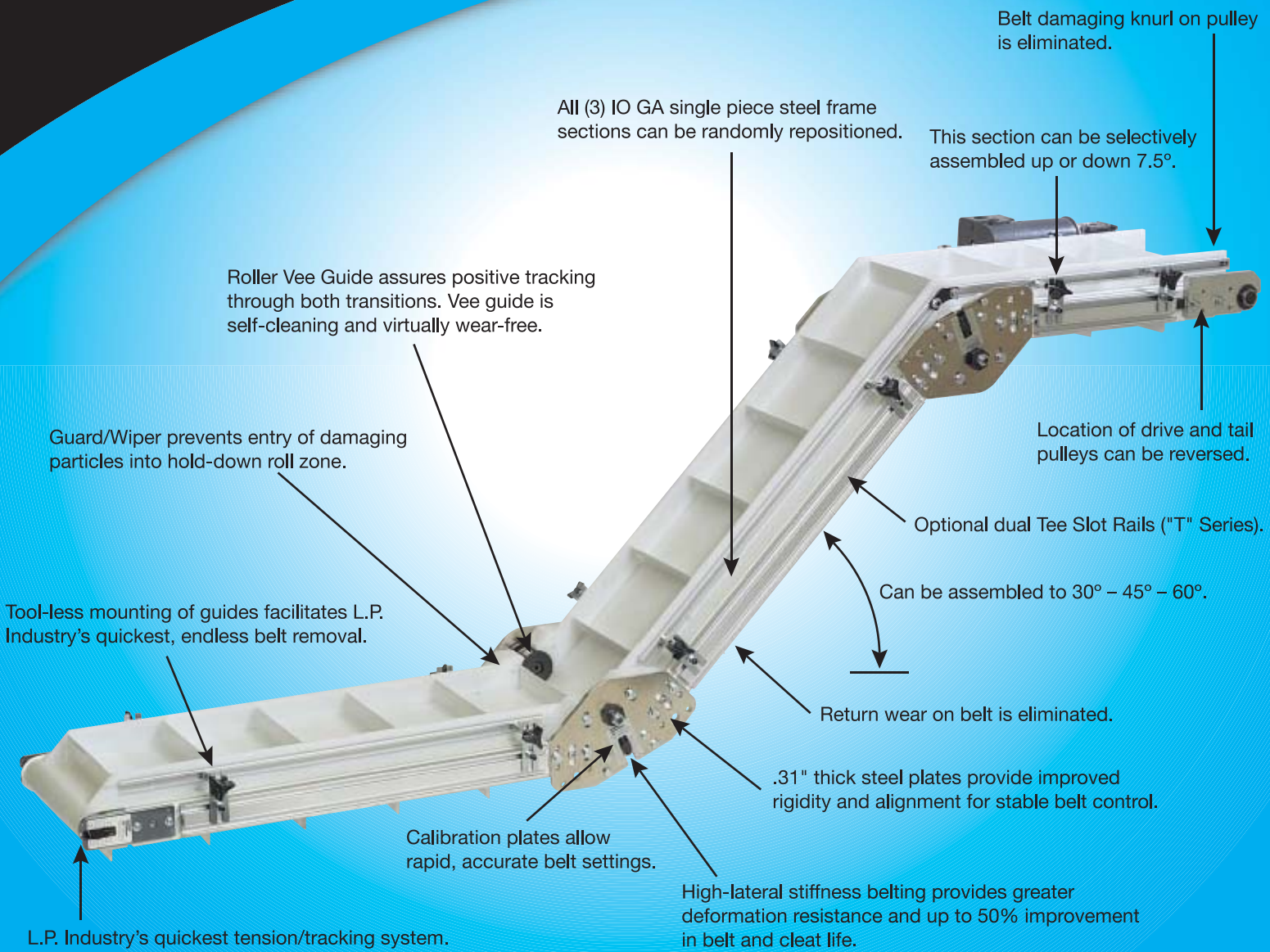
"T" SERIES

**Conveyor
Technologies
Ltd.**

INDUSTRY LEADER IN LOW PROFILE CONVEYOR PERFORMANCE

Industry Leader In Low Profile Conveyor Reliability

- Two year warranty including bearings is L.P. Industry's finest
- Greatly reduced maintenance costs
- No lubricant contamination of belt or product
- Offers quickest assembly
- Can be assembled into (8) different angled conveyor types
- Greater effective "Load Width"



Load Capacity varies with type, width and angle. Capacity of typical Type H1H, 12" wide at 45° is 200 lbs.

HIH AND HDH TYPE FRAME SIZING

STEP ONE – FIGURE 1

1. Select the upper or lower height depending on which is the most critical. Minimum lower level height is 4" – 6" depending on cleat height.

STEP TWO – FIGURE 2

2. Select A1 or A3 (Actual Frame Selection Value) for horizontal run at level selected in Step 1.

STEP THREE – FIGURE 2

3. Determine rise based on difference between selection from Step 1 and desired opposing level. Select angle and actual rise.

STEP FOUR – FIGURE 1

4. List "Actual Value" of opposing level based on "Actual Rise" selected.

STEP FIVE – FIGURE 2

5. Select A1 or A3 (Actual Frame Selection Value) for opposing horizontal run.

FIGURE 1

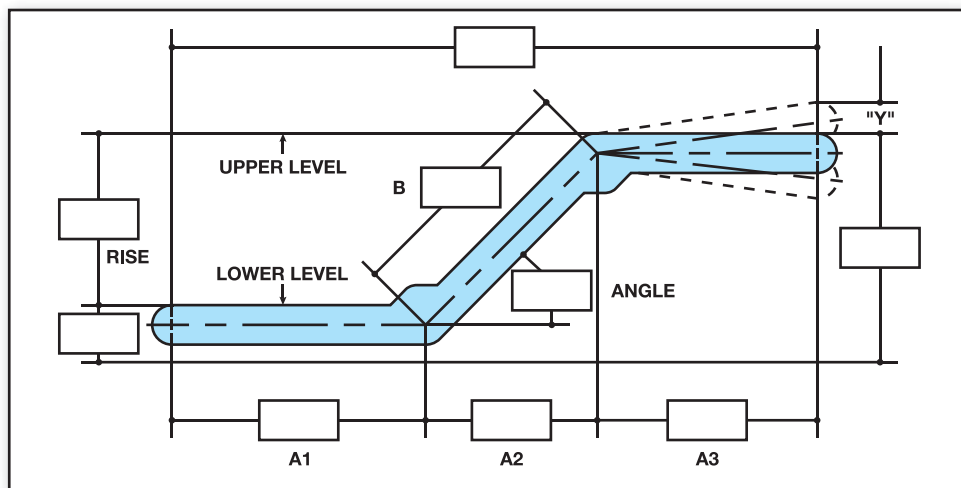


FIGURE 2

NOMINAL FRAME SECTION LENGTH	ACTUAL FRAME SELECTION VALUE		30° ANGLE		45° ANGLE		60° ANGLE		A3 Y" VALUE PER 7.5° TILT
	A1 – A3	B	RISE	A2	RISE	A2	RISE	A2	
024	22.06	22.38	11.19	19.38	15.83	15.83	19.38	11.19	2.88
036	34.06	34.38	17.19	29.77	24.31	24.31	29.77	17.19	4.45
048	46.06	46.38	23.19	40.17	32.80	32.80	40.17	23.19	6.01
060	58.06	58.38	29.19	50.56	41.28	41.28	50.56	29.19	7.58
072	70.06	70.38	36.19	60.95	49.77	49.77	60.95	35.09	9.15
084	82.06	82.38	41.19	71.34	58.25	58.25	71.34	41.19	10.71
096	94.06	94.38	47.19	81.74	66.74	66.74	81.74	47.19	12.28
108	106.06	106.38	53.19	92.13	75.22	75.22	92.13	53.19	13.84
120	118.06	118.38	59.19	102.52	83.71	83.71	102.52	59.19	15.41
RISE AND A2 CHANGE/3" OF B REDUCTION			1.5	2.60	2.12	2.12	2.60	1.5	

Actual Frame Section Values shown will provide the most economical pricing; however, frame sections can be shortened in 3" increments. Max Total Length (A1 + B + A3) ≤ 300".

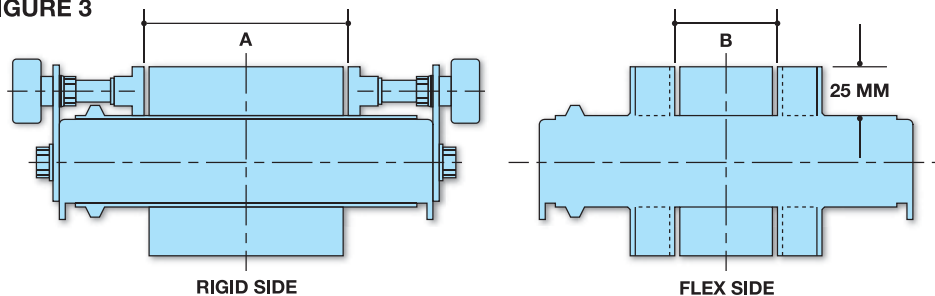
WIDTH SELECTION

STEP 6 – FIGURE 3

Conveyor width is normally selected based on the required load width. The "Rigid Side Style" provides a load width 2.12" greater than the Flex Side Style on the same size conveyor. Flex Sides are commonly used when conveying particles which are approximately the size of a 9MM sphere, or smaller. Enter conveyor width selection from chart in Figure 3.

Note: Types IHO-IHD-HDO have load width equal to belt width under certain conditions.

FIGURE 3



LOAD WIDTH	CONVEYOR WIDTH				
	7.5	10	12	18	24
A	5	7.5	9.5	15.5	21.5
B	2.88	5.38	7.38	13.38	19.38

BELT SELECTION

STEP 7 – FIGURE 4

1. Select Belt Cleat Number – FIGURE 4
2. Desired Cleat spacing in inches

FIGURE 4

BELT CLEAT NO.	CLEAT HEIGHT	BELT SIDE STYLE
R20	20 MM	RIGID
R25	25 MM	RIGID
R40	40 MM	RIGID
R60	60 MM	RIGID
F25	25 MM	FLEX

DATA SECTION

Type (See Page 4 – Figure 5)

"S" Series

"T" Series

Total weight in pounds uniformly distributed over entire conveyor length (W)

Belt Speed in feet per minute (MAX)

Drive Fixed

Variable

Voltage – Phase – Hertz

Stands

Casters

MULTI-FLEX TYPES

Select Type Designation and enter on Page 3 in appropriate box in Data Section.

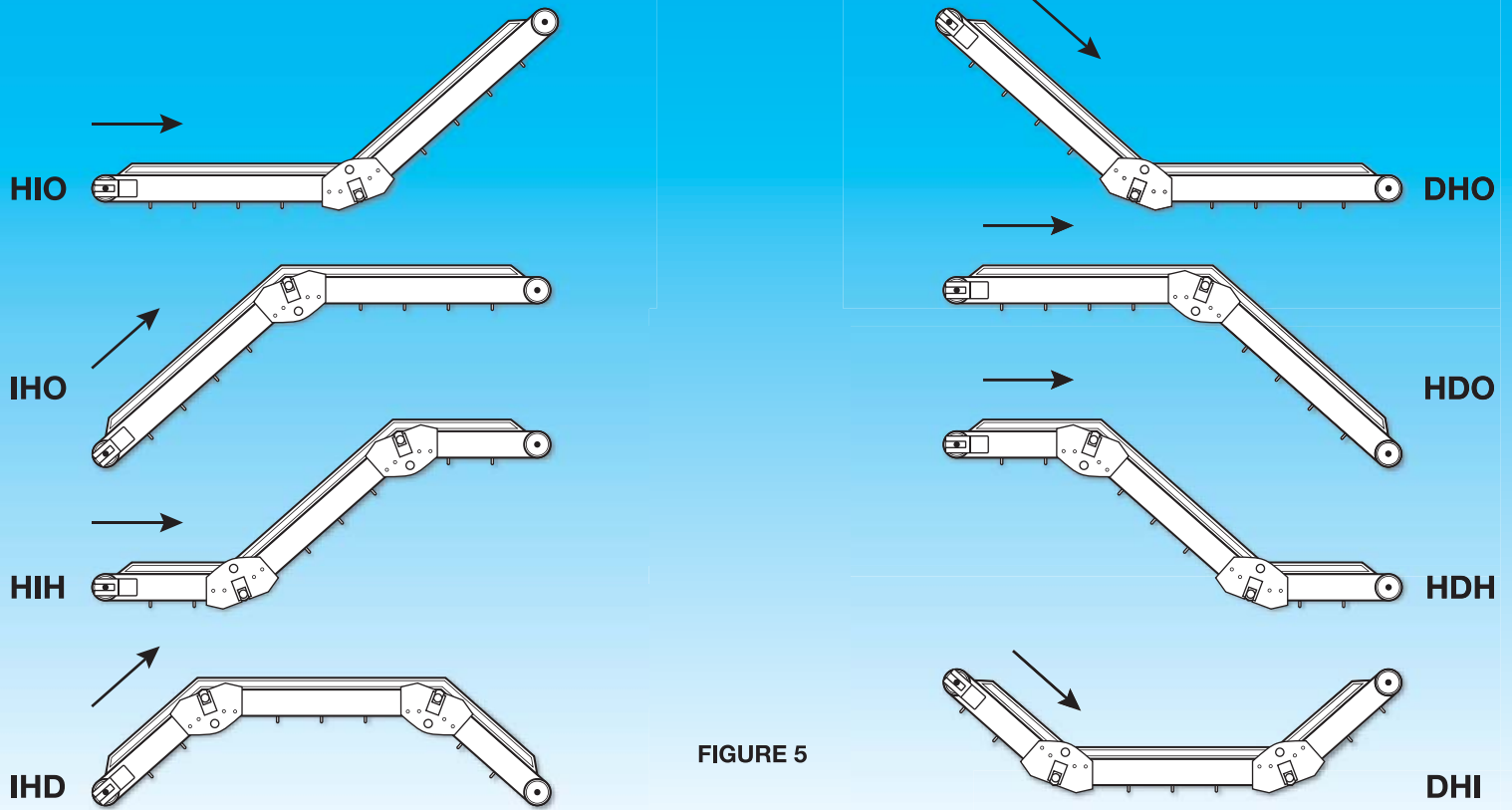


FIGURE 5

Depicted below are other conveyors from our broad selection which includes vacuum, magnetic, wire mesh and round belt along with outstanding accessories.



"T" Series with "Modular" product guide system.

Internal Backlit Conveyor for high-speed automatic or manual part inspection.



Precision Hi-Speed Indexing with timing-belt and removable product holders ± .010".



Conveyor Technologies Ltd.

440 Milford Parkway
 Milford, Ohio 45150-9104
 Phone: (513) 248-0663
 Fax: (513) 248-0685
 e-mail: mail@conveyortechltd.com
www.conveyortechltd.com